

# SOT-23 SCHOTTKY BARRIER DIODE

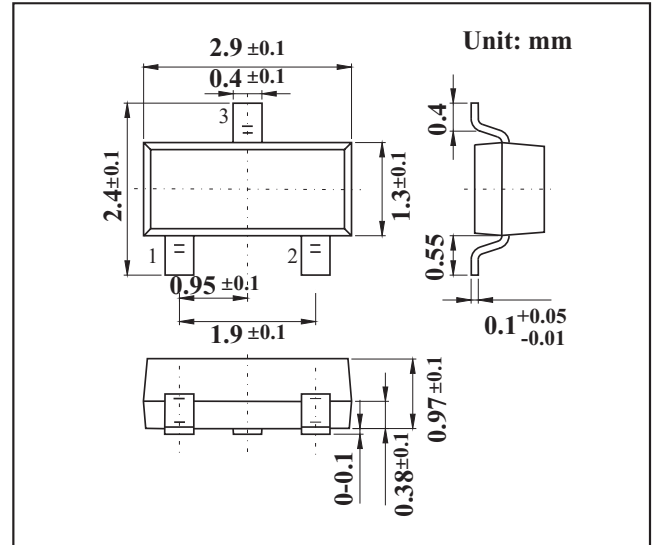
VOLTAGE RANGE: 20V PEAK PULSE POWER:200mW

## FEATURES

- Low Forward Voltage
- Fast Reverse Recovery Time
- High Forward Current

## MECHANICAL DATA

- Case: SOT-23 Small Outline Plastic Package
- Polarity: Color band denotes cathode end
- Mounting Position: Any



## MAXIMUM RATINGS AND CHARACTERISTICS

@ 25°C Ambient Temperature (unless otherwise noted)

Symbol	Parameter	Value	Unit
$V_R$	DC Blocking Voltage	20	V
$I_o$	Forward Continuous Current	500	mA
$I_{FM}$	Peak Forward Current	1.5	A
$I_{FSM}$	Non-repetitive Peak Forward Surge Current@t=8.3ms	5	A
$P_D$	Power Dissipation	200	mW
$R_{\theta JA}$	Thermal Resistance From Junction To Ambient	500	°C/W
$T_j$	Junction Temperature	125	°C
$T_{stg}$	Storage Temperature	-55~+150	°C

## Electrical Specification (T<sub>A</sub>=25°C unless otherwise specified)

Parameter	Symbol	Test conditions	Minp	Ty	Maxnit	U
Reverse voltage	$V_{(BR)}$	$I_R=100\mu A$	20			V
Reverse current	$I_R$	$V_R=10V$			20	$\mu A$
		$V_R=20V$			100	
Forward voltage	$V_F$	$I_F=10mA$			0.35	V
		$I_F=100mA$			0.43	
		$I_F=500mA$			0.55	
Total capacitance	$C_{tot}$	$V_R=0V, f=1MHz$		120		pF
Reverse recovery time	$t_{rr}$	$I_F= I_R=50mA, V_R=6V$		20		ns

MARKING: H9

## RATINGS AND CHARACTERISTIC CURVES

